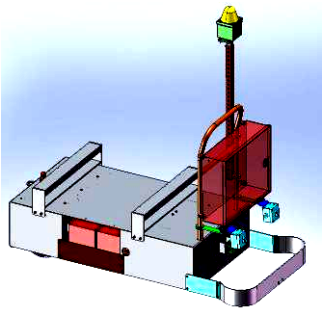




## WHAT IS AN AUTO-CART AGC?



### AN AUTOMATIC GUIDED CART (AGC) IS...

- It is a battery powered vehicle similar to an AGV but more closely related to a mobile robot.
- It is a flexible accumulation "conveyor" on wheels.
- A tunnel, tugger or unit load configuration can be accommodated with the same vehicle with add-on options or modifications.
- It has "tons" of capacity.
- With a little care, it will not complain or take a vacation
- It is revolutionary because it uses a state-of-the-art optical guidance system.
- It uses an economical commercially available guide path tape or paint or tape over magnetic tape.
- The guide path can be modified in "minutes".
- It uses mass-produced, commercially available components, where applicable.
- It is compact, powerful, robust and simple.
- It is programmable and configurable in its base configuration.
- All you need to setup the AGC is on-board.
- It will automatically slow down for corners and speed up when clear of the corner without extra floor controls.
- It can operate in a solitary or fleet environment.
- It can be point-to-point or route driven.
- It can be stand-alone or put on a stand-alone WIFI network.
- It is the most economical AGC solution available.
- There are FREE software upgrades.
- An AGC is **INNOVATION** and **IMAGINATION**.

